

KOMATSU®

NET HORSEPOWER
110 kW 148 HP @ 2.000 rpm

OPERATING WEIGHT
24.010 kg - 26.250 kg

MAX. HORIZONTAL REACH
15.250 mm

PC210LC-8

PC210NLC-8

Super Long Front specification

PC
210

HYDRAULIC EXCAVATOR



PC210LC/NLC-8

ecot3

WALK-AROUND

The PC210-8 is a rugged, productive, all-European machine. Designed and expressly built for European markets, it delivers outstanding productivity, reliability and operator comforts in a robust, environmentally friendly package. Komatsu's exclusive, on-board, HydraulMind system assists in all operations, providing enhanced machine performance that's always perfectly matched to the task.

Special Super Long Front features

- 15 m Super Long Front boom and arm
- Special counterweight for long reach working
- Suitable for digging work as well as slope finishing
- Maximum material density 1,8 ton/m³



Excellent reliability and durability

- Heavy-duty work equipment
- Reliable major components designed and built by Komatsu
- Exceptionally reliable electronic devices

Auxiliary hydraulic circuit

The PC210-8 Super Long Front can be specified with an auxiliary hydraulic circuit.

- Adjustable presets for rapid attachment changeover
- Additional filters for attachment and machine protection
- Hydraulic relief pressure control
- Automatic changeover valves

NET HORSEPOWER
110 kW 148 HP

OPERATING WEIGHT
24.010 kg - 25.855 kg

MAX. HORIZONTAL REACH
15.250 mm

New, safe SpaceCab™

Specifically developed for Komatsu excavators, the new cab is designed with a tubular steel frame. The framework provides high durability and impact resistance with very high impact absorbancy.

Low-noise cab

Operator ear noise is as low as an average passenger car.

Large TFT monitor

Improved operator interface through Komatsu-developed information technology. (TFT: Thin Film Transistor)



KOMTRAX

Komatsu Tracking System

Track and monitor your machine anytime, anywhere for total peace of mind.

ecot3
ecology & economy - technology 3

The Komatsu SAA6D107E-1 engine meets EU Stage IIIA and EPA Tier III emission regulations.
29% NOx reduction.

SPECIFICATIONS



ENGINE

Model Komatsu SAA6D107E-1
 Type Common rail direct injection, water-cooled, emissionised, turbocharged, after-cooled diesel
 Rated capacity 110 kW/148 HP (ISO 9249 Net) at engine speed 2.000 rpm
 No. of cylinders 6
 Bore x stroke 107 x 124 mm
 Displacement 6,69 ltr
 Battery 2 x 12 V/140 Ah
 Alternator 24 V/60 A
 Starter motor 24 V/5,5 kW
 Air filter type Double element type with monitor panel dust indicator and auto dust evacuator
 Cooling Suction type cooling fan with radiator fly screen



HYDRAULIC SYSTEM

Type HydrauMind. Closed-centre system with load sensing and pressure compensation valves
 Main pump 2 variable displacement piston pumps supplying boom, arm, bucket, swing and travel circuits
 Additional circuits 1 additional circuit can be installed
 Maximum pump flow 2 x 219 ltr/min
 Relief valve settings
 Implement 380 bar
 Travel 380 bar
 Swing 295 bar
 Pilot circuit 33 bar
 Attachment circuit up to 190 bar



ENVIRONMENT

Engine emissions Fully complies with EU Stage IIIA and EPA Tier III exhaust emission regulations
 Noise levels
 LwA external 102 dB(A) (2000/14/EC Stage II)
 LpA operator ear 69 dB(A) (ISO 6369 dynamic test)



OPERATING WEIGHT (APPR.)

Operating weight, including Super Long Front boom and arm, 367 kg bucket, operator, lubricant, coolant, full fuel tank and the standard equipment.

	SUPER LONG FRONT				SLF with auxiliary hydraulic circuit			
	PC210LC-8		PC210NLC-8		PC210LC-8		PC210NLC-8	
Triple grouser shoes	Operating weight	Ground pressure	Operating weight	Ground pressure	Operating weight	Ground pressure	Operating weight	Ground pressure
500 mm	-	-	24.010 kg	0,60 kg/cm ²	-	-	-	-
600 mm	24.170 kg	0,51 kg/cm ²	24.370 kg	0,52 kg/cm ²	25.170 kg	0,53 kg/cm ²	-	-
700 mm	24.530 kg	0,44 kg/cm ²	24.730 kg	0,44 kg/cm ²	25.530 kg	0,46 kg/cm ²	25.730 kg	0,46 kg/cm ²
800 mm	24.890 kg	0,39 kg/cm ²	-	-	25.890 kg	0,41 kg/cm ²	-	-
900 mm	25.250 kg	0,36 kg/cm ²	-	-	26.250 kg	0,37 kg/cm ²	-	-



SWING SYSTEM

Type Axial piston motor driving through planetary double reduction gearbox
 Swing lock Electrically actuated wet multi-disc brake integrated into swing motor
 Swing speed 0 - 12,4 rpm
 Swing torque 68 kNm
 Max. pressure 295 bar



DRIVES AND BRAKES

Steering control 2 levers with pedals giving full independent control of each track
 Drive method Hydrostatic
 Travel operation Automatic 3-speed selection
 Max. travel speeds
 Lo / Mi / Hi 3,0 / 4,5 / 5,5 km/h
 Maximum drawbar pull 18.200 kg
 Brake system Hydraulically operated discs in each travel motor



UNDERCARRIAGE

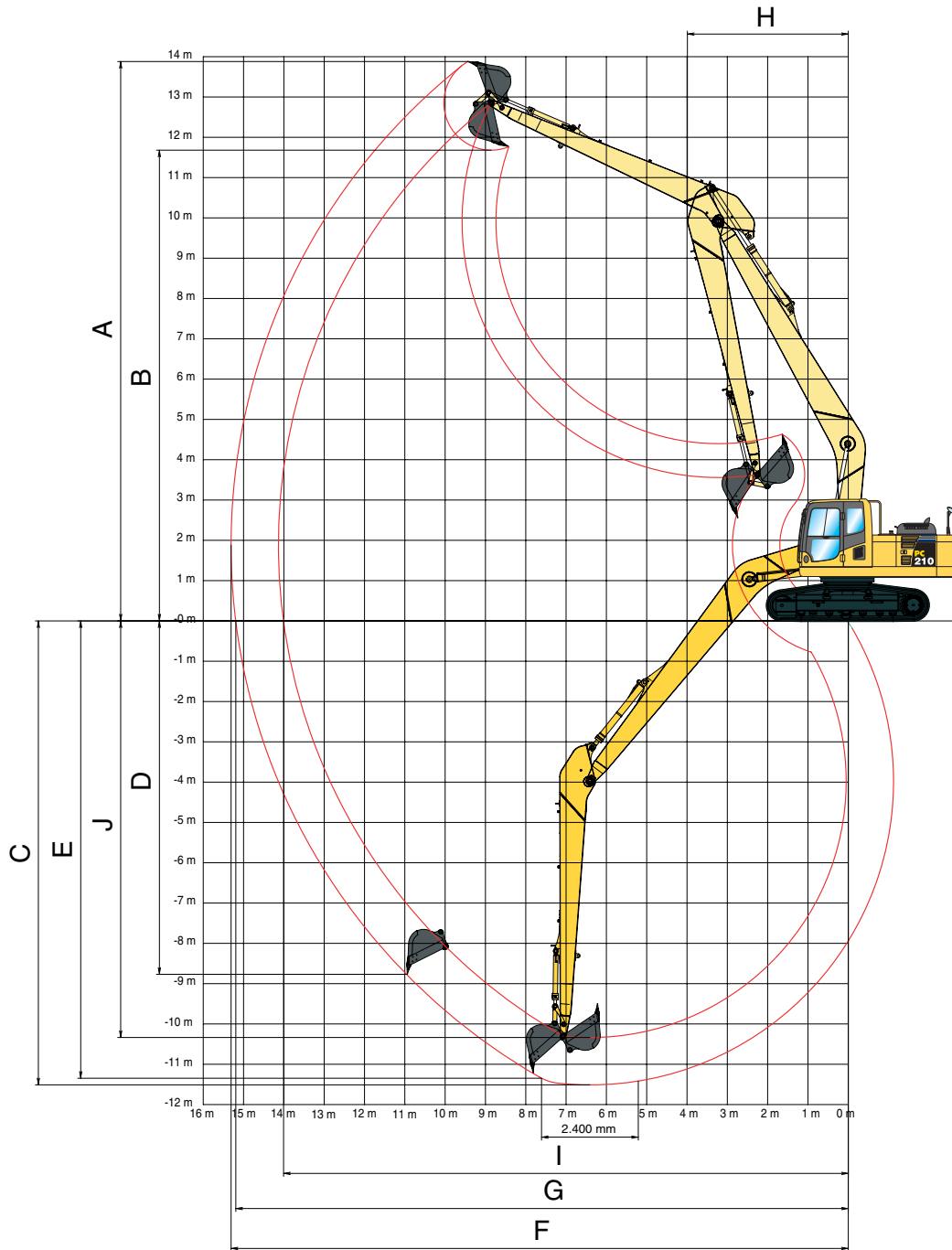
Construction X-frame centre section with box section track-frames
 Track assembly
 Type Fully sealed
 Shoes (each side) 49
 Tension Combined spring and hydraulic unit
 Rollers
 Track rollers (each side) 9
 Carrier rollers (each side) 2



COOLANT AND LUBRICANT CAPACITY (REFILLING)

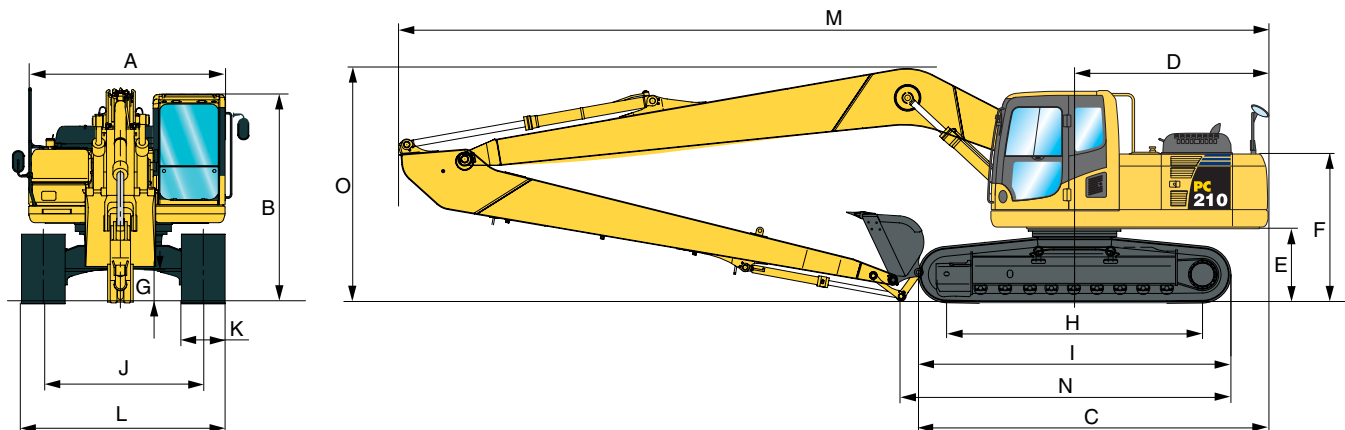
Fuel tank 325,0 ltr
 Radiator 20,4 ltr
 Engine oil 23,1 ltr
 Swing drive 6,6 ltr
 Hydraulic tank 137,0 ltr
 Final drive (each side) 3,3 ltr

WORKING RANGE



SUPER LONG FRONT		
A	Max. digging height	13.880 mm
B	Max. dumping height	11.680 mm
C	Max. digging depth	11.510 mm
D	Max. vertical wall digging depth	8.770 mm
E	Max. digging depth of cut for 2,44 m level	11.345 mm
F	Max. digging reach	15.250 mm
G	Max. digging reach at ground level	15.190 mm
H	Min. swing radius	3.990 mm
I	Max. pin reach at ground level	14.005 mm
J	Max. pin depth	10.335 mm

TRANSPORT DIMENSIONS



MACHINE DIMENSIONS		PC210LC-8	PC210NLC-8
A	Overall width of upper structure	2.500 mm	2.500 mm
B	Overall height of cab	3.035 mm	3.035 mm
C	Overall length of basic machine	4.995 mm	4.995 mm
D	Tail length	2.770 mm	2.770 mm
	Tail swing radius	2.800 mm	2.800 mm
E	Clearance under counterweight (not machines for powered attachments)	1.100 mm	1.100 mm
F	Machine tail height	2.110 mm	2.110 mm
G	Ground clearance	440 mm	440 mm
H	Tumbler centre distance	3.655 mm	3.655 mm
I	Track length	4.450 mm	4.450 mm
J	Track gauge	2.380 mm	2.040 mm
K	Track shoe width	600, 700, 800, 900 mm	500, 600, 700 mm
L	Overall track width with 500 mm shoe	-	2.540 mm
	Overall track width with 600 mm shoe	2.980 mm	2.640 mm
	Overall track width with 700 mm shoe	3.080 mm	2.740 mm
	Overall track width with 800 mm shoe	3.180 mm	-
	Overall track width with 900 mm shoe	3.280 mm	-
M	Transport length	12.435 mm	12.435 mm
N	Length on ground (transport)	4.725 mm	4.725 mm
O	Overall height (to top of boom)	3.390 mm	3.390 mm

PC210LC/NLC-8 15 m Super Long Front

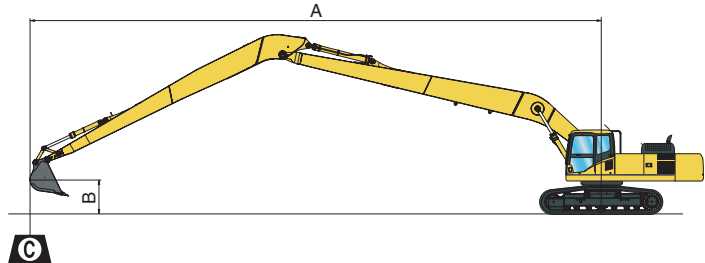
RECOMMENDED BUCKETS				
Model	Material density	Ditching max. width	Standard width	Bucket volume
PC210LC-8	1,8 ton/m ³	2,1 m	0,75 m	0,47 m ³
PC210LC-8	1,1 ton/m ³	2,1 m	0,95 m	0,68 m ³
PC210NLC-8	1,8 ton/m ³	2,1 m	0,6 m	0,35 m ³
PC210NLC-8	1,1 ton/m ³	2,1 m	0,7 m	0,4 m ³

PC210LC/NLC-8 15 m Super Long Front (Machines with auxiliary hydraulic circuit)

RECOMMENDED ATTACHMENTS					
Mower			Weedcutter basket		
Weight	Flowrate	Pressure	Weight	Flowrate	Pressure
840 kg	150 ltr/min	190 kg/cm ²	840 kg	34 ltr/min	100 kg/cm ²

LIFTING CAPACITY

15 m SUPER LONG FRONT (Not powered attachment spec)



- A** - Reach from swing centre
- B** - Bucket hook height
- F** - Rating over front
- S** - Rating over side
- MAX** - Rating at maximum reach

PC210LC-8

700 mm shoes, 367 kg bucket

A	MAX		14 m		13 m		12 m		11 m		10 m		9 m		8 m		7 m		6 m	
B	F	S	F	S	F	S	F	S	F	S	F	S	F	S	F	S	F	S	F	S
13 m																				
10 m	950*	950*							1600*	1600*	1750*	1750*								
6 m	950*	950*			1700*	1400	2050*	1750	2050*	2050*	2050*	2050*	2100*	2100*						
3 m	1000*	1000	1500*	1100	2200	1300	2400*	1550	2500*	1850	2650*	2250	2850*	2700	3100*	3100*	3450*	3450*	3950*	3950*
0 m	1200*	950	1650*	1000	2050	1200	2400	1400	2750	1650	3200	1950	3700*	2300	4200*	2800	4900*	3400	5900*	4200
-3 m	1550*	1000			2000	1100	2250	1250	2600	1500	3000	1750	3500	2050	4200	2450	5100	3000	6450	3700
-6 m	2250	1250					2250	1250	2550	1450	2950	1700	3450	2000	4100	2350	5000	2900	6400	3650
-9 m	3400	2000											3600	2150	4250	2550	5150	3100	6050	3900

PC210NLC-8

500 mm shoes, 367 kg bucket

A	MAX		14 m		13 m		12 m		11 m		10 m		9 m		8 m		7 m		6 m	
B	F	S	F	S	F	S	F	S	F	S	F	S	F	S	F	S	F	S	F	S
12 m	1050*	1050*									1200*	1200*								
10 m	950*	950*							1600*	1600*	1750*	1750*								
6 m	950*	900			1700*	1100	2050*	1400	2050*	1700*	2050*	2050*	2100*	2100*						
3 m	1000*	750	1500*	800	2100	1000	2400*	1200	2500*	1500	2650*	1800	2850*	2200	3100*	2700	3450*	3400	3950*	3950*
0 m	1200*	650	1650*	700	1950	850	2250	1050	2650	1250	3100	1500	3650	1800	4200*	2200	4900*	2700	5900*	3350
-3 m	1550*	700			1900	800	2150	900	2450	1100	2850	1300	3350	1550	4000	1900	4900	2300	6200	2850
-6 m	2150	950					2150	900	2450	1050	2800	1250	3300	1500	3900	1800	4800	2200	6100	2800
-9 m	3250	1550											3450	1650	4100	1950	5000	2400	6050*	3050
-10 m	3750*	2050													3800*	2100	4550*	2550	5350*	3200

Lifting capacity table is published for guidance only, the machine is not intended for use as a crane.
 Lifting capacities are stated in kg, on the tip of the arm, for machine on firm, level supporting surface.
 The weight of any attachment used should be deducted from the values shown, to calculate payload.
 Indicated loads are based on ISO 10567 standard and do not exceed 75% of tipping or 87% of hydraulic capacity (indicated by *).
 Lifting capacity of the machine is limited by machine stability, hydraulic capacity and maximum permissible load of the attachment.

HYDRAULIC EXCAVATOR

STANDARD EQUIPMENT

- Komatsu SAA6D107E-1, 110 kW turbocharged common rail direct injection diesel engine, EU Stage IIIA compliant
- Double element type air cleaner with dust indicator and auto dust evacuator
- Suction type cooling fan with radiator fly screen
- Automatic fuel line de-aeration
- Automatic engine warm-up system
- Engine overheat prevention system
- Fuel control dial
- Auto-deceleration function
- Engine key stop
- Alternator 24 V/60 A
- Batteries 2 × 12 V/140 Ah
- Starter motor 24 V/5,5 kW
- Electronic closed-centre load sensing (E-CLSS) hydraulic system (HydrauMind)
- Pump and engine mutual control (PEMC) system
- Multi-function video compatible colour monitor with equipment management monitoring system (EMMS) and efficiency guidance
- 5-working mode selection system; Power mode, economy mode, breaker mode, attachment mode and lifting mode
- PowerMax function
- One additional 2-way proportional service valve (full flow)
- Hydrostatic, 3-speed travel system with automatic shift and planetary travel and parking brakes
- Adjustable PPC wrist control levers with 3 button controls for arm, boom, bucket and swing
- PPC control levers and pedals for steering and travel
- KOMTRAX™ Komatsu Tracking System
- Reinforced safety SpaceCab™; Highly pressurised and tightly sealed hyper viscous mounted cab with tinted safety glass windows, large roof window with sun shade, pull-up type front window with locking device, removable lower window, front window wiper with intermittent feature, sun roller blind, cigarette lighter, ashtray, luggage shelf, floor mat
- Heated air suspension seat with lumbar support, height adjustable arm rests and retractable seat belt
- Automatic climate control system
- 12 Volt power supply
- Beverage holder and magazine rack
- Hot and cool box
- Radio
- Overload warning device
- Electric horn
- Audible travel alarm
- Track roller guards
- Track frame under-guards
- Lockable fuel cap and covers
- Remote greasing for swing circle and pins
- Fuel supply pump
- Boom safety valves
- Large handrails, rear-view mirrors and counterweight mirror
- Toolkit and spare parts for first service
- Lights; 2 revolving frame lights and 1 boom light
- Engine ignition can be password secured on request
- Standard colour scheme and decals
- Parts book and operator manual
- Special counterweight for long reach working
- 15 m Super Long Front boom and arm, with bucket cylinder and arm cylinder and including piping and hoses for bucket cylinder and arm cylinder

OPTIONAL EQUIPMENT

- LC or NLC undercarriages
- 500, 600, 700, 800, 900 mm triple grouser track-shoes (500 mm NLC only)
- Full length track roller guards
- OPG Level II front guard (FOPS)
- OPG Level II top guard (FOPS)
- Service points
- Additional working lamps, including cab roof lights, r.h. boom lamp, counterweight rear lamp and beacon
- Bio oil
- Lower wiper
- Rain visor (not with OPG)
- Rear view camera system
- Customised paint
- “Weedcutter Specification”, including one additional hydraulic circuit, additional counterweight, control system. Only with 700 mm track-shoes if NLC undercarriage is specified

Call the experts



Komatsu Europe International NV

Mechelsesteenweg 586
B-1800 VILVOORDE (BELGIUM)
Tel. +32-2-255 24 11
Fax +32-2-252 19 81
www.komatsueurope.com

UESS11900 06/2006

Materials and specifications are subject to change without notice.

KOMATSU is a trademark of Komatsu Ltd. Japan.