

NEW **STAGE IIIB** OPTION INTRODUCTION

PC138US-10 **Super Long Front**

KOMATSU

Komatsu Europe
International NV
Mechelsesteenweg 586
B-1800 Vilvoorde (Belgium)
www.komatsu.eu



PC138US-10 Super Long Front

**The latest Super Long Reach excavator with
low emissions and consumption**



Original factory equipment

- **Proven** durability
- **Lightweight** "Single Plate & Casting" design concept



Peace of Mind as Standard

- **Complimentary** maintenance
- **Free of Charge service** for first 2000hrs / 3 years.
- **Peace of mind** as standard



KOMTRAX Step 4 for professional machinery management

- "Energy Saving Report" and others available
- More precise performance and utilization data
- Keep the machine in perfect working order
- Eliminate wasteful idling
- Enhance resale value.
- EU Stage IIIB emissions compliant

PC138US-10 "SLF"

Original factory quality

INTERNAL USE ONLY

NEW **STAGE III B** OPTION INTRODUCTION

PC138US-10 Super Long Front

KOMATSU

Komatsu Europe
International NV
Mechelsesteenweg 586
B-1800 Vilvoorde (Belgium)
www.komatsu.eu



DESIGN DETAILS :

- ✓ *Original Komatsu factory developed equipment.*
- ✓ *Specifically designed for PC138US-10*
- ✓ *Sophisticated **engineering design** and structure*
- ✓ ***Optimised stress distribution** gives high durability in recommended applications.*

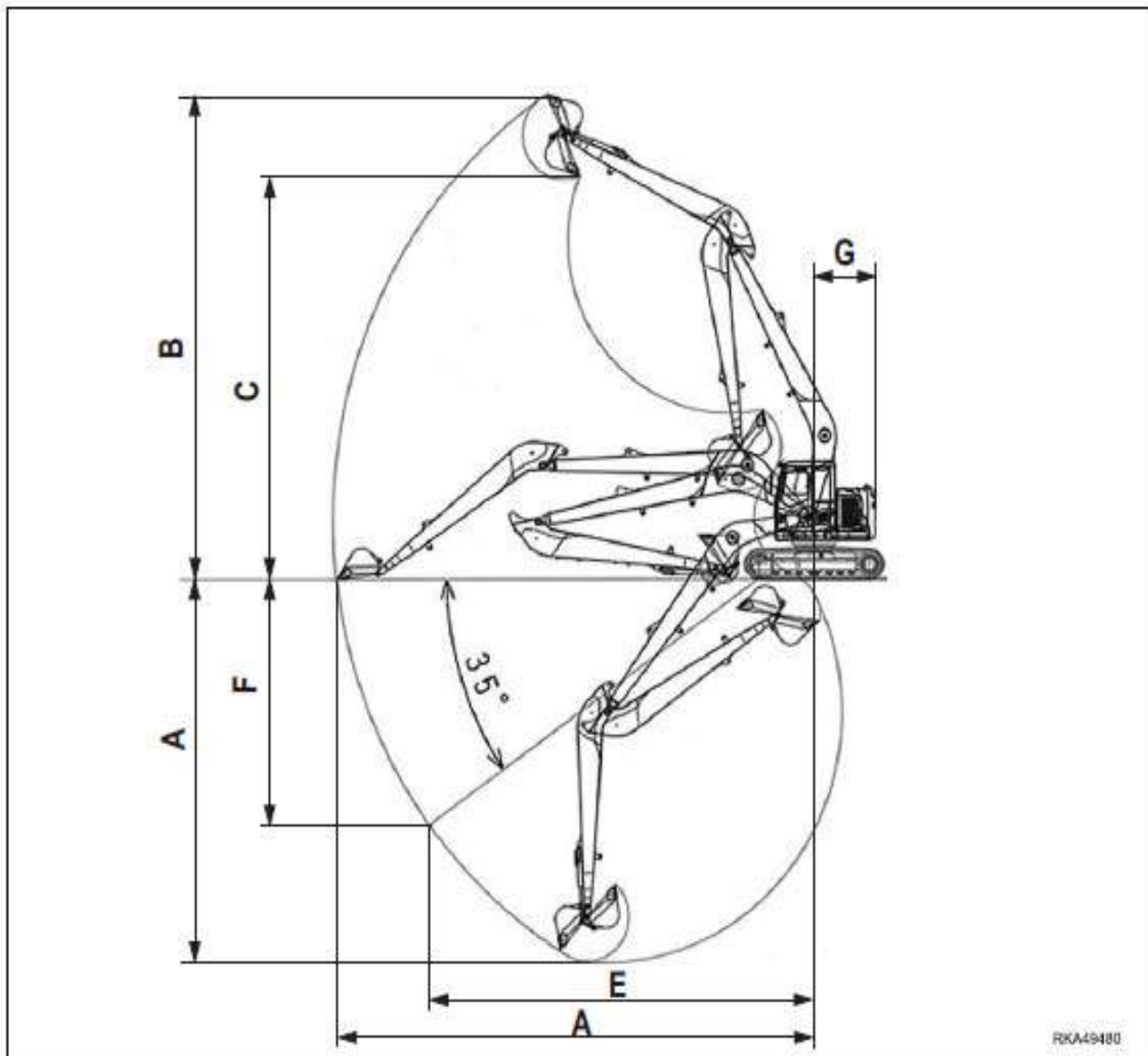
INTERNAL USE ONLY

PC138US-10 Super Long Front



WORKING RANGE:

	Working ranges	Unit	PC138US-10 Super Long Front
A	Max. digging reach	mm	12320
B	Max. digging height	mm	11610
C	Max. dumping height	mm	9560
D	Max. digging depth	mm	9190
E	Digging distance with inclination of 35°	mm	9850
F	Digging depth with inclination of 35°	mm	5890
G	Turret swing radius	mm	1540



RKA49480

NEW **STAGE IIIB** OPTION INTRODUCTION

PC138US-10

Super Long Front

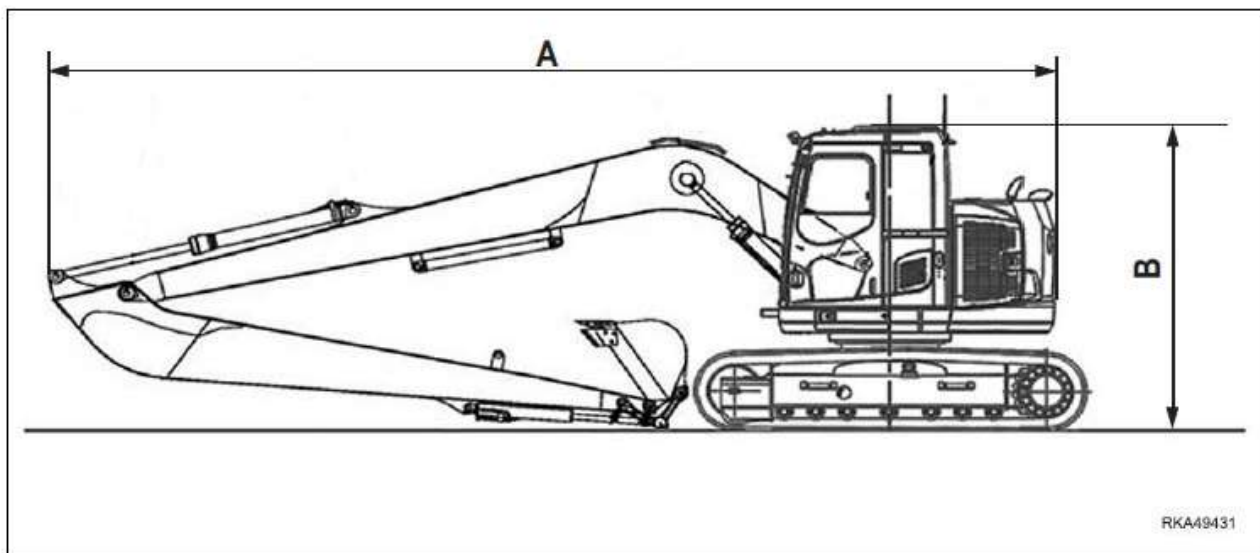
KOMATSU

Komatsu Europe
International NV
Mechelsesteenweg 586
B-1800 Vilvoorde (Belgium)
www.komatsu.eu



SPECIFICATIONS and TRANSPORT POSITION:

	Element	Unit	PC138US-10 Super Long Front
	Operating mass	kg	14000
	Bucket capacity	m ³	0.28
	Bucket width	mm	750
	Track width	mm	500
A	Total length	mm	9580
B	Total width	mm	2810



INTERNAL USE ONLY

NEW **STAGE IIIB** PRODUCT INTRODUCTION
KOMATSU PC138US-10 SLF
Contact Details

KOMATSU
 Komatsu Europe
 International NV
 Mechelsesteenweg 586
 B-1800 Vilvoorde (Belgium)
 www.komatsu.eu



Questions??

Contact Your Excavator Product Management Team

Regions:



Jim Venerus

Region:



Product Responsibility:
PC190 – PC800
 Mobile:
 +44 (0) 7734 684 762
 Email:
 james.venerus@komatsu.eu

Vince Porteous

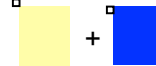
Region:



Product Responsibility:
PC190 - PC800
 Mobile:
 +44 (0) 7802 533 248
 E-Mail:
 vince.porteous@komatsu.eu

Simon Saunders

Region:



Product Responsibility:
Komatsu UK Working Gear
 Mobile:
 + 44 (0) 7730 922 447
 E-Mail:
 simon.saunders@komatsu.eu

Mal McCoy

Region:



Product Responsibility:
PC210LCi
 Mobile:
 +44 (0) 7740 655 391
 Email:
 malcolm.mccoy@komatsu.eu

Simone Reddi

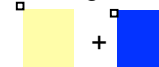
Region:



Product Responsibility:
PC138US & PC170LC
 Mobile:
 +39 3488 606 186
 Email:
 simone.reddi@komatsu.eu

Yoshihiro Kobayashi

Region:



Product Responsibility:
HB215 Hybrid Excavator
 Mobile:
 +32 (0) 490 561 827
 E-Mail:
 yoshihiro.kobayashi@komatsu.eu

REMEMBER

We are all here to help.

If your Product Manager is not available, any one of the team will be happy to assist.

INTERNAL USE ONLY