

# KOMATSU

## PC88MR-6

OPERATING WEIGHT

8.274 - 8.810 kg

NET POWER

51 kW / 68,4 HP @ 2.000 rpm

BUCKET CAPACITY

0,09 - 0,34 m<sup>3</sup>

**PC**  
**88MR-6**



MIDI-EXCAVATOR

**PC88MR-6**

# MIDI-EXCAVATOR



## ENGINE

Model ..... Komatsu S4D95LE-3  
 Type..... direct injection, water-cooled, emissionised, turbocharged  
 No. of cylinders ..... 4  
 Displacement..... 3.260 cm<sup>3</sup>  
 Rated capacity (SAE J1349)..... 51 kW / 68,4 HP @ 2.000 rpm  
 Max. torque (80/1269/EC)..... 271 Nm @ 1.600 rpm



## TRANSMISSION

Steering control..... 2 levers with pedals  
 Transmission ..... hydrostatic  
 Hydraulic motors ..... variable displacement, axial piston  
 Max. drawbar pull..... 6.471 daN (6.600 kg)  
 Max. travel speeds Lo / Hi ..... 2,8 - 4,7 km/h  
 Parking brake ..... mechanical disks



## UNDERCARRIAGE

Track tensioning ..... grease  
 Shoes (each side) ..... 39  
 Carrier rollers (each side)..... 1  
 Track rollers (each side) ..... 5  
 Ground pressure ..... 0,36 kg/cm<sup>2</sup>



## HYDRAULIC SYSTEM

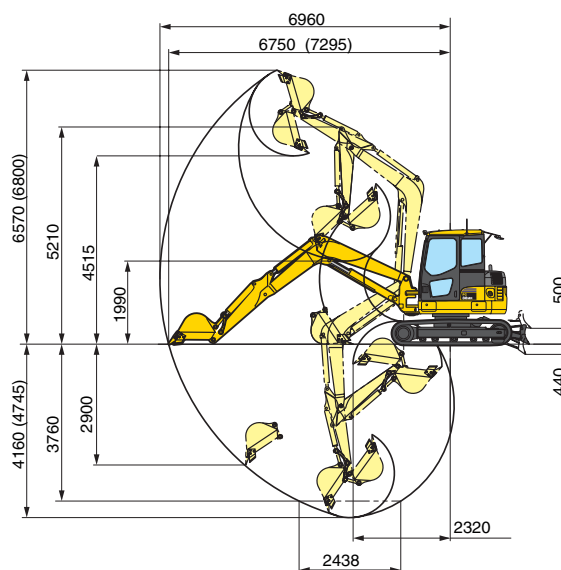
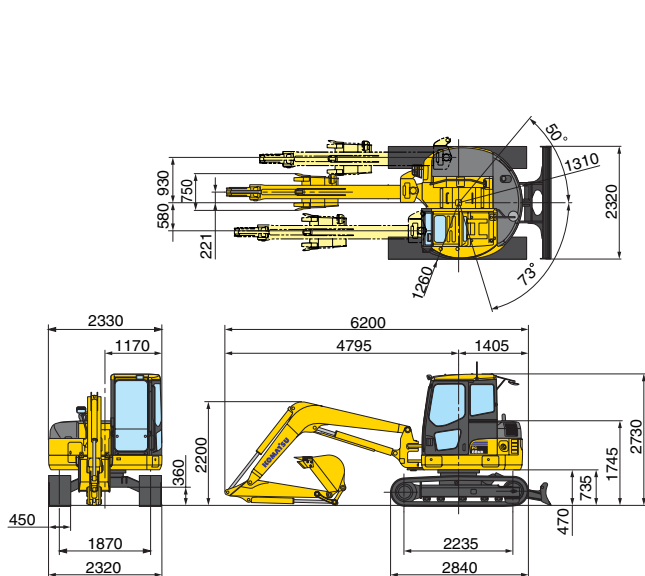
Type..... Komatsu „CLSS“  
 Power modes ..... 2 (Power/Economy)  
 Main pumps:  
 Pump for..... boom, arm, bucket and travelling  
 Type..... variable displacement, axial piston  
 Maximum flow ..... 165 ltr/min  
 Pump for..... swing and blade  
 Type..... fixed displacement gear pump  
 Maximum flow ..... 66 ltr/min  
 Auxiliary hydraulic flow..... 145 ltr/min  
 Relief valve settings:  
 Swing and blade..... 21,1 MPa (215 kg/cm<sup>2</sup>)  
 Travel and work equipment ..... 26,5 MPa (270 kg/cm<sup>2</sup>)  
 Bucket breakout force (ISO 6015) ..... 6.129 daN (6.250 kg)  
 Arm breakout force, 1.650 mm arm (ISO 6015) ... 4.148 daN (4.230 kg)



## OPERATING WEIGHT

Operating weight, including 1.650 mm arm, 0,28 m<sup>3</sup> bucket (ISO 7451), blade, operator, liquids, filled tank and standard equipment (ISO 6016)

Shoes	Width	Operating weight	
		Mono boom	Two-piece boom
Steel (450 mm)	2.320 mm	8.340 kg	8.640 kg
Steel (600 mm)	2.470 mm	8.510 kg	8.810 kg
Rubber (450 mm)	2.320 mm	8.274 kg	8.574 kg
Roadliner (450 mm)	2.320 mm	8.490 kg	8.790 kg



– PRELIMINARY VERSION. ALL DATA NON-BINDING. –